



S100 / OPMI pico

OPMI pico from ZEISS
Quality you can see.
Performance you can feel.

NEW!
HD recording



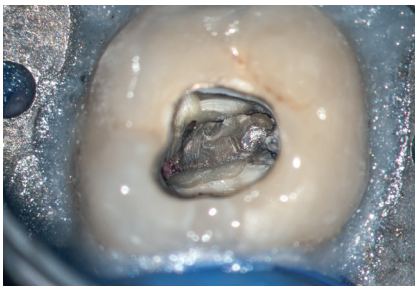
We make it visible.



Restorative dentistry

Quickly detect enamel and dentine fractures as well as approximal caries. High-precision views enable accurate assessment of crown edges, preparation levels and veneers.

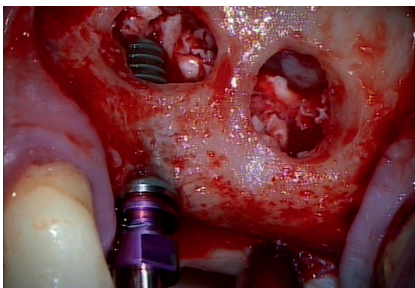
› Image courtesy of Dr. Wolfgang Gänsler
Illertissen, Germany



Endodontics

Visualize fine anatomical structures and details of root canals and isthmuses. The visibility provides a clear view down to the apex.

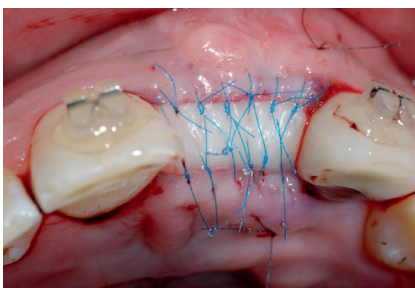
› Image courtesy of Oscar Freiherr von Stetten
Stuttgart, Germany



Implantology

Conduct high-precision examinations and implant treatments quickly and confidently. Reliably detect important anatomical structures.

› Image courtesy of Dr. Behnam Shakibaie
Tehran, Iran



Periodontics

Benefit from support for soft-tissue evaluation and management to aid healing, low scarring and improved cosmetic outcomes.

› Image courtesy of Dr. Rino Burkhardt
Zurich, Switzerland



ZEISS OPMI pico

Quality you can see

OPMI® pico from ZEISS makes details and fine structures clearly visible. It enables you to better visualize the regions of interest and consistently provide your patients with high-quality examinations and treatments.

The compact, high-performing, easy-to-use ZEISS OPMI pico offers solid support for the most demanding applications – whether in restorative dentistry, endodontics, implantology or periodontics.

ZEISS OPMI pico's cost-effective illumination options offer solutions for all specialized dental offices to meet your standards and needs. Complete integration of the light source makes it easier to clean the system.

Highly ergonomic functions enable various users to conveniently adjust the focal length while maintaining their preferred working posture.

ZEISS OPMI pico also features camera options to facilitate patient consultation and documentation; depending on the specific needs in your practice.



For a better view

ZEISS OPMI pico enables you to visualize high-contrast, true-color images – the key to improving the quality of the examination and treatment.

With ZEISS OPMI pico, optics and illumination go hand in hand.



View the whole mouth

The Varioskop® 100 objective lens allows you to adjust the focal length over a large range (100 mm) to focus on virtually any image detail – large or small – from the entire mouth down to fine anatomical structures.

Better overview

The large field of view lets you visualize the entire oral cavity – providing a more comprehensive view and improved orientation of the horizontal axis.

Illumination for dentistry

The choice is yours:

ZEISS OPMI pico is available with halogen, LED and xenon



Halogen for standard applications

For all standard applications and routine examinations in your daily practice.



LED for premium applications

For color rendition and light that strongly resembles natural daylight. It is a very cost-effective and virtually maintenance-free light source. The very low heat output requires minimal ventilation and produces very low noise levels.



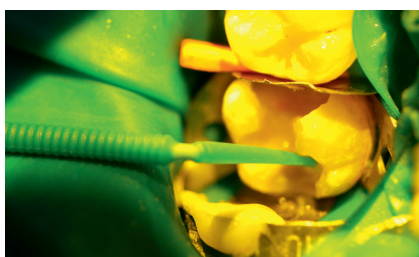
Xenon for premium plus applications

For highest demands and professional documentation, the shadowless illumination puts light exactly where it is needed. Even root canals are perfectly illuminated and imaged.



Wide-field eyepieces provide a large field of view with a 3D image

Special diopter settings also make them suitable for eyeglass wearers.



More time for one treatment

Orange filter prevents premature curing.

› Image courtesy of Dr. Wolfgang Gänsler
Illertissen, Germany



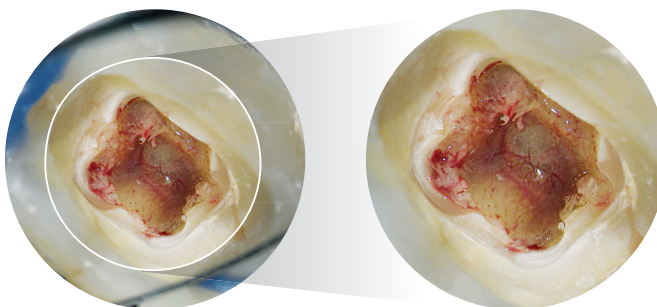
Full overview of fine details

ZEISS OPMI pico delivers high-quality images at every magnification level.

Full overview – from optimum to maximum

The Foldable Tube f170/f260 boosts 150% detail magnification with the PROMAG™ function.

› Image courtesy of Dr. Bijan Vahedi
Augsburg, Germany





For better ergonomics

A stiff neck, a sore back – things you experience all too often after a hard day's work. With ZEISS OPMI pico and features like the Varioskop 100, MORA interface, 180° tiltable tube, Foldable Tube f170/f260 and the specially tailored ergonomic handgrips, these are all a thing of the past.

You can sit comfortably in an upright, ergonomically correct position during treatment for a more relaxed working day.



More comfort

Varioskop 100 enables users to conveniently adjust the focal length without leaving their preferred working position – a true advancement that helps prevent neck strain and back problems.

Greater depth

Varioskop’s adjustment knob allows you to adapt the focal length over a large distance to focus on the whole mouth as well as minute details in the vertical axis – without moving the ZEISS OPMI pico.

Adjust the ZEISS OPMI pico to you and not vice versa

Reduce or increase the distance for the required treatment field as needed with the patented multi-link design of the Foldable Tube f170/f260. With its long reach, this highly flexible system easily accommodates the needs of the user and different positions of the patient.



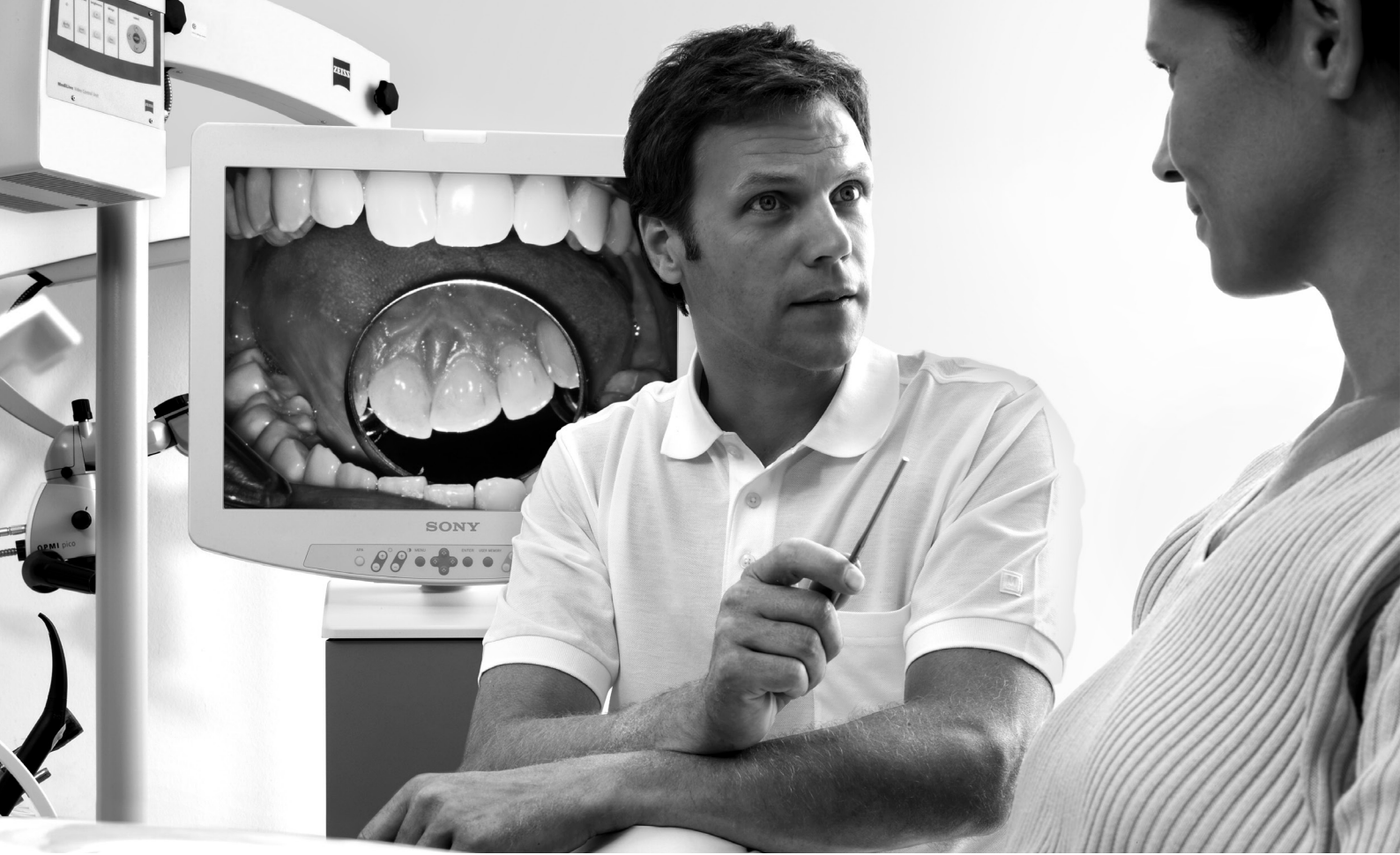
Ergonomic design in your hands

Adjustable connectors make it possible to individually arrange the handgrips. Ergonomically correct angles for dental treatments are provided.

Comfortable overview

The MORA interface allows you to maintain a comfortable upright viewing position at all times, regardless of the angle of the system. You’ll never have to take your eyes off your patient.





To create more trust

Real-life pictures are very convincing. ZEISS OPMI pico can accommodate a full HD video camera, allowing you to present patients with high-definition material to explain procedures. In addition, you can vividly display results at conferences. Recordings can be used either to teach anatomy and procedures or to simply document work in HD quality.

Presentation at conferences



Integrated camera advantages

- The integrated full HD video camera delivers images with definition and differentiation of details
- All functional elements are completely integrated into the system to avoid workspace clutter
- Conveniently fine-tune images with single button operation of the integrated video control console
- Ready for use when ZEISS OPMI pico is switched on
- Supports co-observation and documentation
- Simplified cleaning of the housing

Integrated HD video camera

The choice is yours.

Depending on your specific practice needs – you can choose between three integrated HD video camera versions for intuitive handling and direct access to the most important features on the control board:

■ HD-ready 720p

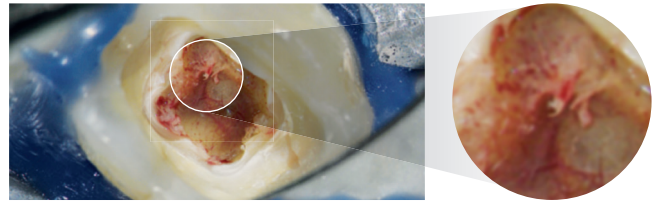
Live video quality

■ Full HD 1080p

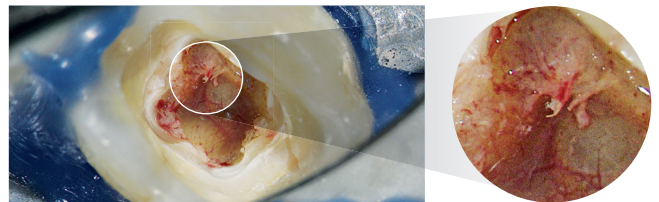
For highest demand of live video quality

■ Live & streaming (Full HD 1080p) with recording license

- 1 Stream live video into the network for viewing through various devices.
- 2 Smart Recording: Record video that occurred 30 seconds in the past.
- 3 Record onto shared network or USB device as well as facilitate easy transfer of still images and HD videos to patient management software.
- 4 Create Full HD images during recording or from a recorded video.



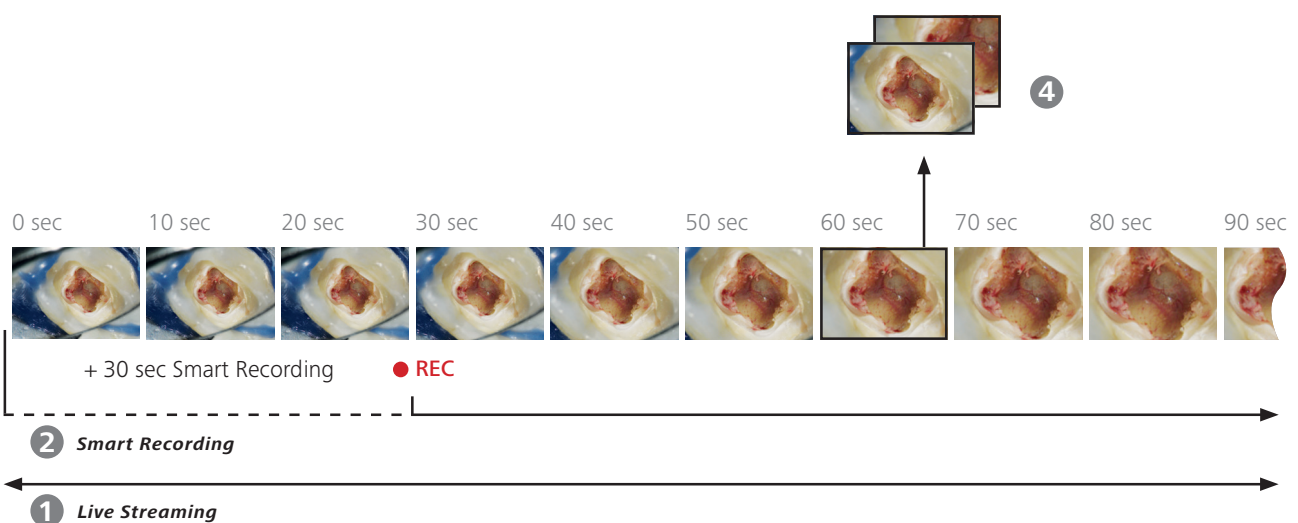
HD-ready 720p image

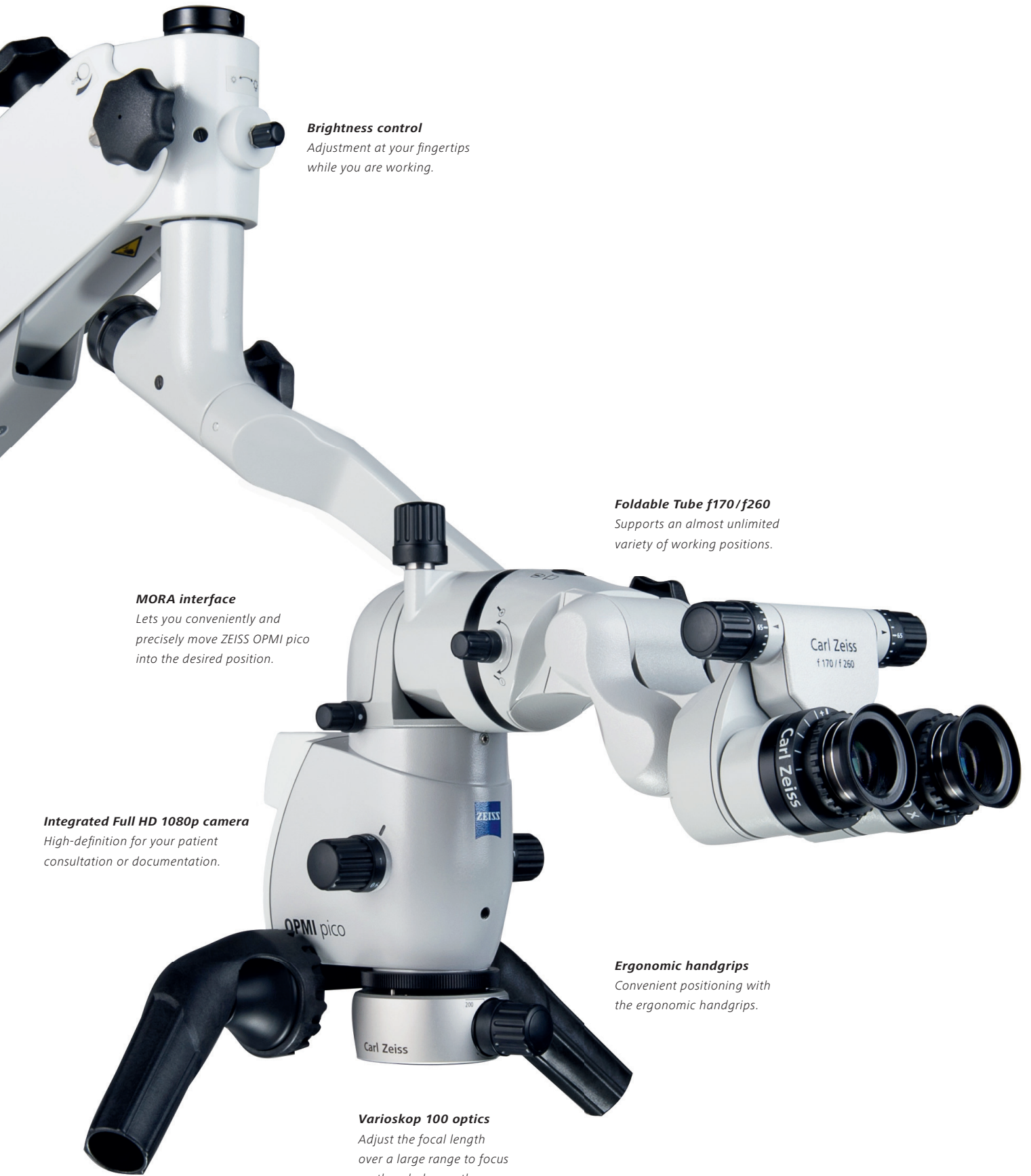


Full HD 1080p image



- 3 Easy transfer of still images and HD videos
› Image courtesy of Dr. Bijan Vahedi Augsburg, Germany





Brightness control
Adjustment at your fingertips
while you are working.

Foldable Tube f170/f260
Supports an almost unlimited
variety of working positions.

MORA interface
Lets you conveniently and
precisely move ZEISS OPMI pico
into the desired position.

Integrated Full HD 1080p camera
High-definition for your patient
consultation or documentation.

Ergonomic handgrips
Convenient positioning with
the ergonomic handgrips.

Varioskop 100 optics
Adjust the focal length
over a large range to focus
on the whole mouth or
minute details.

For better integration

A highly compact instrument with a small footprint, ZEISS OPMI pico fits seamlessly into virtually any practice workflow environment. Simply plug in the cable, switch the power on, and the ZEISS OPMI pico is ready for use.

Integrated light source

In addition to LED, ZEISS OPMI pico is also available with integrated halogen and xenon illumination. Control the brightness at your fingertips while you are working.

Intuitive video adjustment

Conveniently operate images with single button operation of the integrated video control console. Once the power is on, ZEISS OPMI pico is ready for recording, documentation and communication.

Complete integration of technology and design in the suspension arm for a well-balanced architecture

Functional elements such as the video control console, HD video camera, cables, light sources and light guides are completely integrated into the stand to avoid workspace clutter.

Workplace integration

ZEISS OPMI pico is compatible with a large variety of dental treatment units from other manufacturers.



ZEISS OPMI pico is ideally integrated into the practice environment

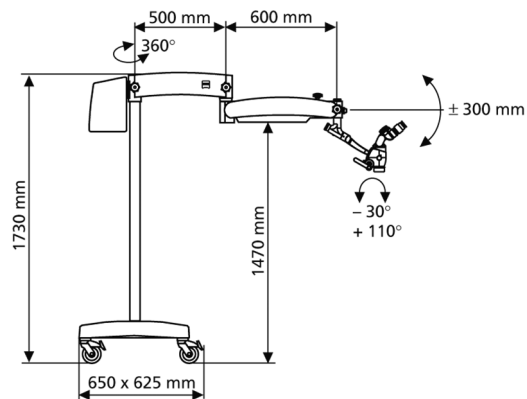
*› Soaric treatment unit
image courtesy of Morita*

Technical data

S100/OPMI pico from ZEISS

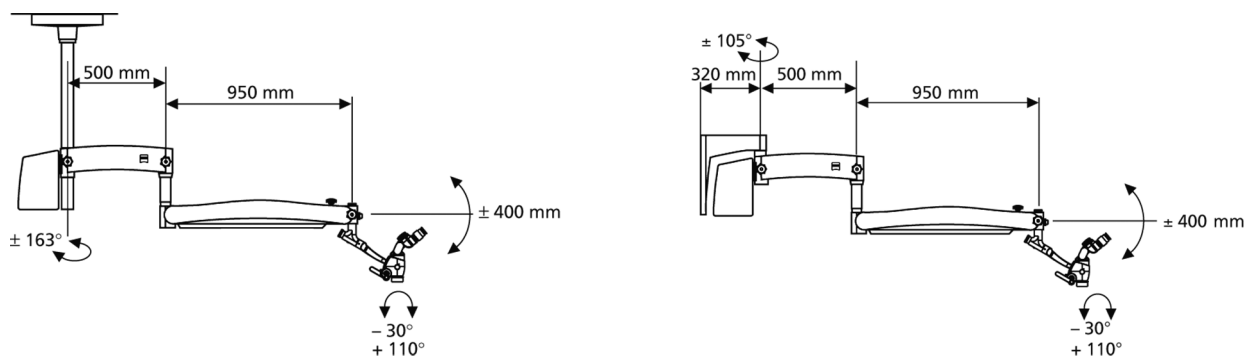
Basic configuration

Magnification system	Manual apochromatic magnification changer
Eyepieces	12.5x wide-field eyepieces; also suitable for eyeglass wearers
Tubes	Inclined 45° binocular tube, f =170 mm
Focus	f=250 mm, focusable
Illumination system	Halogen illumination
Handgrip	Standard handgrip
Mount mobility	120° coupler
Suspension system	Floor stand



Configuration options

Eyepieces	<ul style="list-style-type: none"> ■ 10x wide-field eyepieces with reticle; also suitable for eyeglass wearers ■ 12,5x wide-field eyepieces with reticle
Tubes	<ul style="list-style-type: none"> ■ Tilttable tube 0°-180°, f = 170 ■ Foldable Tube f170/f260 with PROMAG function boosts to 150% detail magnification
Focus	<ul style="list-style-type: none"> ■ Varioskop 100, focusable working distance 200–300 mm ■ f=200 mm, focusable ■ f=300 mm, focusable
Illumination system	LED or Xenon illumination
Handgrips	<ul style="list-style-type: none"> ■ Comfort handgrips ■ Front handgrips ■ T-handgrip
Mount mobility	<ul style="list-style-type: none"> ■ MORA interface without 120° coupler ■ MORA interface with 120° coupler
Suspension system	<ul style="list-style-type: none"> ■ Suspension mount ■ Centro mount ■ Ceiling mount ■ Wall mount (wallplate)



Accessory options

Integrated video camera	<ul style="list-style-type: none"> ■ HD-ready 720p ■ Full HD 1080p ■ Live & streaming (Full HD 1080p) with recording license ■ Cables ■ HD monitors
External video solutions	<ul style="list-style-type: none"> ■ Adapter for single lens reflex cameras ■ FlexioStill™ adapter for digital cameras ■ FlexioMotion™ adapter for digital camcorders
Asepsis	<ul style="list-style-type: none"> ■ Splash protection for the objective lens ■ VisionGuard® drapes for sterile work environment
Optics	Double iris diaphragm to increase the depth of field
Others	Instrument tray on floor stand

The moment you see a hidden
detail reveal a visible success.

This is the moment we work for.



// DENTAL OPTICS
MADE BY ZEISS





Carl Zeiss Meditec AG

Goeschwitzer Strasse 51–52

07745 Jena

Germany

www.meditec.zeiss.com/contacts

www.meditec.zeiss.com/OPMI-pico

EN_30_010_0186IV SUR.5293 Rev C Printed in Germany AW-CZ-III/2014 Too

The contents of the brochure may differ from the current status of approval of the product in your country. Please contact our regional representative for more information. Subject to change in design and scope of delivery and as a result of ongoing technical development. OPMI, Varioskop, VisionGard, PROMAG, FlexioStill and FlexioMotion are either trademarks or registered trademarks of Carl Zeiss Meditec AG. © Carl Zeiss Meditec AG, 2014. All copyrights reserved.